

DA8006 9x60W 8 Channel Class D Amplifier



Features

- 100V output, rated power 60W;
- 9 channels: 8 for master amplifier and 1 for stand-by amplifier;
- Each amplification channel has independent and paired I/O ports;
- LCD display, clear indication;
- Bass and treble controls

Description

This range of power amplifiers are designed for general commercial and industrial public address applications. This amplifier is rated with 60W. Bass and treble controls and master volume control are provided. LCD display, clear indication of amplifier status. Each amplifier channel has independent and paired I/Q ports. Complete protection includes clip, short circuit, high temp and overload. Indications for power, signal, clip, protection and temp. It has 8 master amplifiers and 1 stand by spare amplifier.

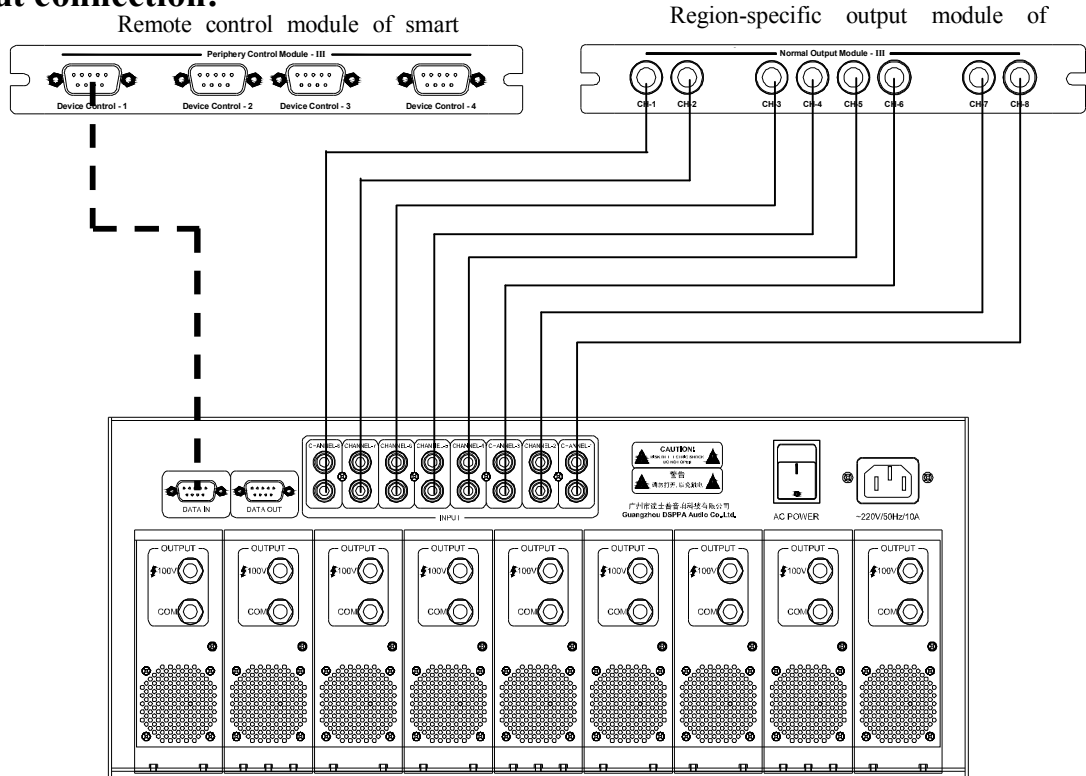
This amplifier can be applied to different cases, such as supermarket, classroom, etc.

Specification

Model	DA8006
Rated output power (per channel)	60W
Rated output voltage	100V
Maximum sensitivity	1V(0dB)
Frequency	50Hz-20kHz(±3dB)
SNR	≥80 dB
Crosstalk	>70dB
Package dimensions (mm)	(L×W×H) 520×520×240
Equipment dimensions (mm)	(L×W×H) 484×420×180
Gross weight	13.6kg
Net Weight	11.1kg

Connection

Input connection:



Output connection:

Eight audio input channels correspond to eight master amplification output channels, for instance, audio input connected to INPUT1 will be output by Channel 1, which is to say, input channels 1-8 corresponds to master amplification output channels 1-8 respectively.

