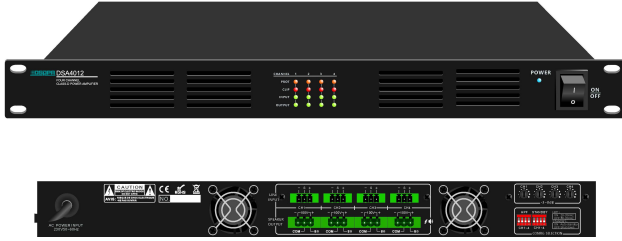


DSA4012/DSA4024/DSA4035/DSA4050 Four Channel Class-D Digital Amplifier

Features

- Rated power output at 120W, 240W, 350W to 500W by four channels
- Four channel separate speaker outputs 4-16 Ω /100V
- Wide AC input from 110V to 230V
- Each input with separate gain control.
- Four channel power amplifier into 19" rack mount unit
- Complete short circuit, overload, high temp, clip and DC protection

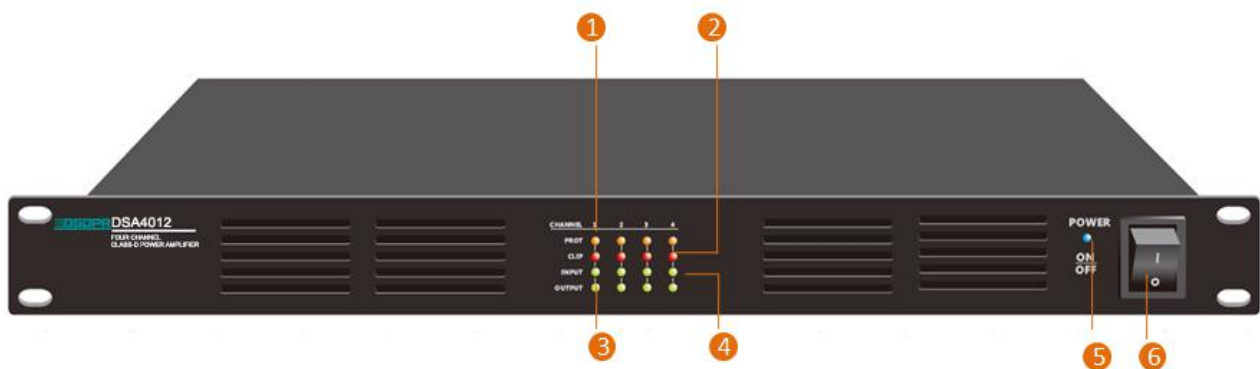


Description

The digital class-D amplifiers DSA4012/DSA4024/DSA4035/DSA4050 are of rated power output at 120W, 240W, 350W & 500W by four channels, so it could be used as four zone multiple sources public address system at minimum cost. The versatile loudspeaker outputs of both high impedance 100V & low impedance 4ohms enable it meet both PA fixed installation and Hi-fi stereo sound installation jobs.

Wide AC power supply from 115V to 230V, thus it support worldwide sound system installation.

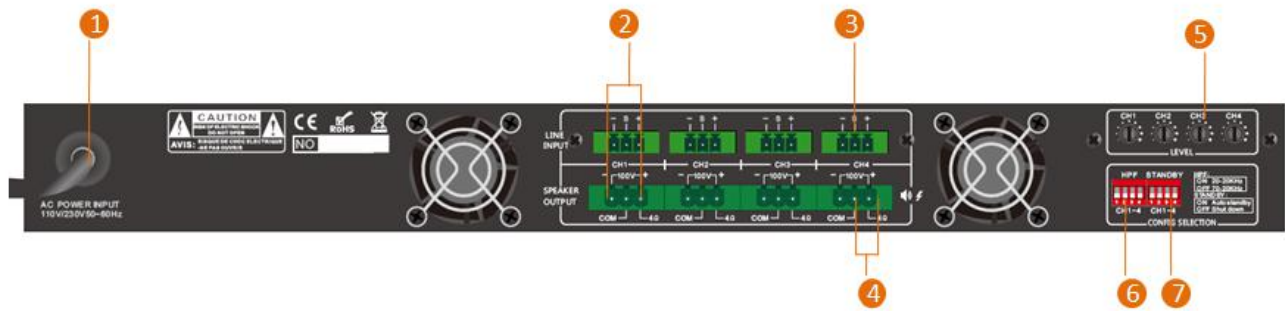
Front Panel



1. PROT
2. CLIP
3. INPUT

4. OUPUT
5. POWER
6. POWER SWITCH

Rear Panel



- | | |
|------------------------|---------------------|
| 1. AC POWER CORD | 5. GAIN CONTROL |
| 2. 100V SPEAKER OUTPUT | 6. HIGH PASS FILTER |
| 3. LINE INPUT | 7. AUTO-STANDBY |
| 4. 8Ω SPEAKER OUTPUT | |

Specification

Description	Class-D Four Channel Power Amplifier			
Rated Power Output	4x120W	4x240W	4x350W	4x500W
Speaker Output	8Ω & 100V			
Frequency Response	L/H Cut OFF 20Hz-20KHz (+1/-2dB) L/H Cut ON 70Hz-10KHz (+1/-3dB)			
Input	0.775V, 0dBu, balanced phoenix connector by four channels			
Input Impedance	10KΩ			
THD	<0.1% (1KHz/-3dBv, 100W)			
S/N Ratio	>80dB			
Crosstalk	>60dB, 1KHz, Max output			
Power Consumption	600W	1200W	1750W	2250W
Power Supply	Wide AC input from 110V & 230V, 50-60Hz			
Dimension	482(W)x420(D)x44(H) mm			
Weight	8.5kg	9kg	9.5kg	10kg
Warranty	3 years warranty and free spare parts			

Speaker Connection

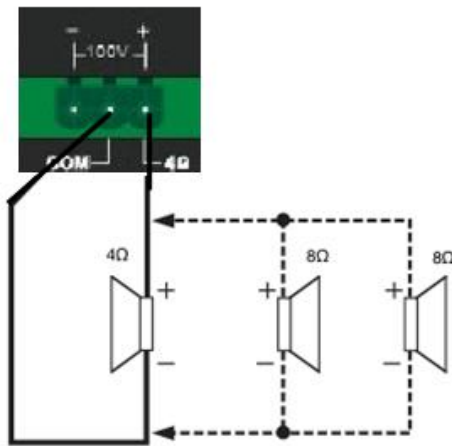
- Connecting 4-16Ω Speaker Systems

When connecting conventional 4-16Ω speaker systems, connect the speaker's positive (+) side to the terminal labeled 4-16Ω. Connect the speaker's negative (-) side to the terminal labeled COM.

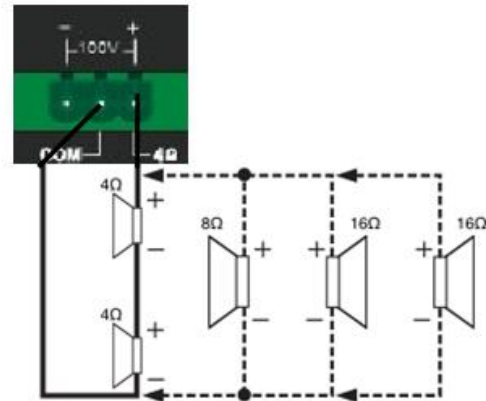
- Connecting High-Voltage Distributed Speaker Systems

When connecting a low-impedance (100V) speaker system in parallel, connect the speaker's positive (+) side to the terminal labeled 100V. Connect the speaker's negative (-) side to the terminal labeled COM.

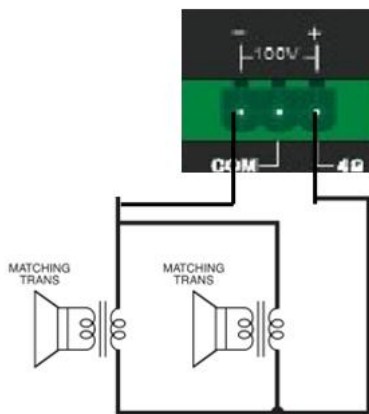
FOR 4Ω LOW IMPEDANCE SPEAKER CONNECTION



FOR 8Ω LOW IMPEDANCE SPEAKER CONNECTION



FOR 100V SPEAKER WITH TRANSFORMER CONNECTION



WRONG SPEAKER CONNECTION

