

DSP6062W 5.5" Wall Mount Speaker(20W-40W)



Features

- Built in 70v/100v transformer
- Wide Freq.Resp.:90-20,000Hz
- Max SPL:103±2dB
- High sensitivity:90±2dB
- 5.5" + 2.5" two ways speaker unit
- Wall mount type loudspeaker
- Metal grille and ABS enclosure of white color
- Equipped with hanging holes for mounting convenient

Description

The DSP6062W is a wall mount speaker built-in 70v/100v transformer. The 70v/100v transmission is realized in a high-voltage, low-current mode, which makes longer distance transmission and parallel connection of multiple loudspeakers possible.

The built-in 5.5"+2.5" two ways full range speaker drivers are designed of wide frequency response 90-20,000Hz, the multiple power taps of 20W & 40W could meet different applications varies from room size and ambient noise surroundings.

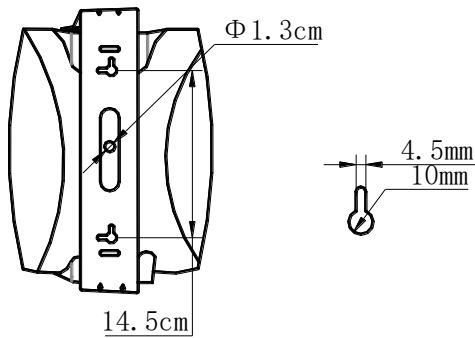
Metal grille and ABS enclosure of white color, long-term durability, never out of shape and fading; high sensitivity, clear and sonorous sound. Easy and secure wall mount installation by hanging holes.

It is ideal choice for industrial and commercial applications in hotel, school, office and factory where background music and paging is needed.

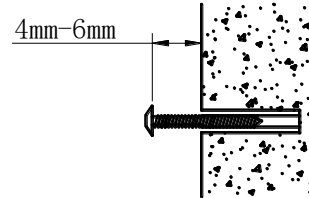
Specification

| Model | DSP6062W |
|--------------------|----------------|
| Full-range | 5.5"×1, 2.5"×1 |
| Rated Power | 20W |
| Max Power | 40W |
| Line Voltage | 70/100V |
| Sensitivity(1M,1W) | 90±2dB |
| Max SPL(1M) | 103±2dB |
| Freq. Resp | 90Hz-20kHz |
| Dimension(H×W×L) | 300×185×170mm |
| Weight | 3.4 kg |

Hanging hole



Nail For Mounting



Installation

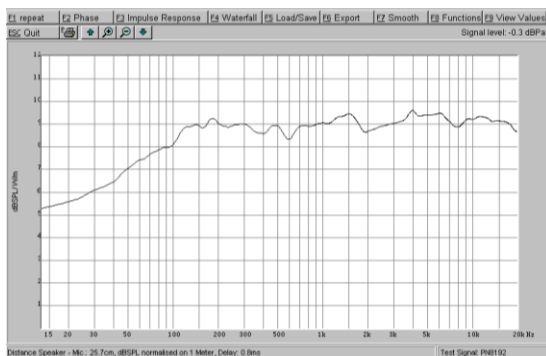
1. Fit two Ø4 mm nails on wall where it is needed to install a speaker system as shown above;
2. Connect audio broadcasting wire to the terminals according to the table below;

| Power Terminals | Line Voltage | 70V | 100V |
|--------------------|-----------------|-----|------|
| Red---Black | | 20W | 40W |

3. Position the speaker, then adjust the direction of it and examine whether it is steady.

FREQ. RESPONSE

(dB SPL, 1W, 1m)



DISTORTION

(THD < 1.5% 1W, 1m, 200Hz~12kHz)

