

DSP 116 1.5W-10W ABS Wall Mount Speaker



Features

- 70/100V, 1.5-10W with multiple terminals
- Max SPL: 96±2dB
- High sensitivity: 91±2dB
- Effective Freq: 180Hz-14kHz
- Made of high quality engineering plastic, long-term durability, never out of shape and fade

Description

DSP 116 is a Wall mount speaker with a 70v/100v transformer built in. The 70v/100v transmission is realized in a high-voltage, low-current mode, which makes longer distance transmission and parallel connection of multiple loudspeakers possible.

The multiple power types (1.5-10W) can be applied to different occasions vary in area sizes and background noises. Max Sound Pressure Level 96±2dB; Effective Freq 180Hz-14kHz; Equipped with hanging holes for mounting convenience; Made of high quality engineering plastic, which ensures long term durability, and will never be out of shape or fade; High sensitivity 91±2dB, long life, clear and sonorous sound.

It is an ideal choice for industrial and commercial applications in hotel, school, office and factory where background music and paging is needed.

Specification

Model	DSP 116
Freq. Resp	180Hz-14kHz
Sensitivity	91±2dB
Max SPL	96±2dB
Weight	0.8kg

Installation

1. Fit two Ø4mm nails on wall where installation is needed as shown above.
2. Connect audio broadcasting wire to the terminals according to the table below.

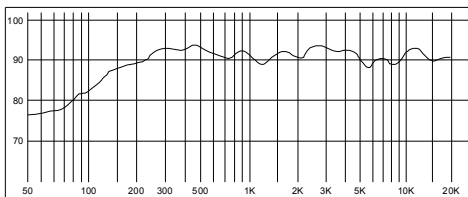
Power Terminals	Line Voltage	70V	100V
P1-P4		1.5W	3 W
P1-P3		3 W	6 W
P1-P2		5 W	10W (Notice)

Notice: Applicable to broadcasting wire which is quite long and with high impedance only.

3. Position the speaker, then adjust the direction of it and examine whether it is steady.

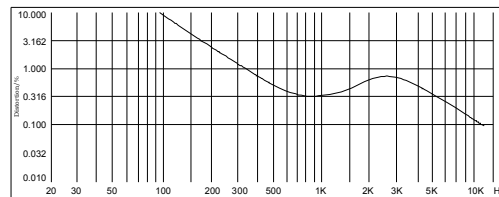
Freq. Response

(dB SPL、1W、1m)

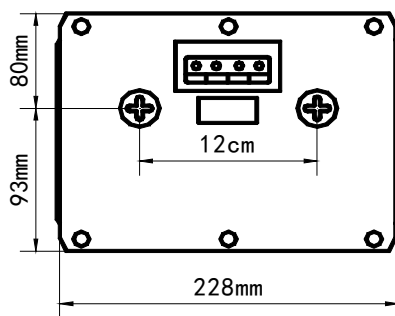


Distortion

(THD < 1.5% 1W、1m、200Hz-10kHz)



Hanging Hole



Nail for Mounting

