

DSP3254EN 10W EN54 Fireproof Ceiling Speaker



Features

- Built-in 100v transformer
- In-ceiling type loudspeaker
- 6.5" paper cone waterproof driver
- Rate power 10W with optional power taps
- High-class steel and form by stamping
- Leaded wire case and ceramic terminals for fireproofing
- Comply with EN54-24 requirements

Description

The DSP3254EN is a ceiling speaker designed for voice evacuation systems, which comply with EN54-24 requirements. It has a 100v transformer built in. The 100v transmission is realized in a high-voltage, low-current mode, which makes longer distance transmission and parallel connection of multiple loudspeakers possible.

The built-in 6.5" speaker driver is designed of wide frequency response (90-20,000Hz), the multiple terminals 2.5W-10W can be applied to different occasions vary in area sizes and background noises; It is made of high-class steel and fixed by stamping, which ensures long-term durability, and will never be out of shape; Equipped with leaded wire case which is hard to burn for fireproofing; Spring clip clamp makes the easy and secure installation possible; Driver surround excellent damping, long life, clear and sonorous sounds.

It is an ideal choice for industrial and commercial applications in hotel, school, office and factory where background music and paging is needed.

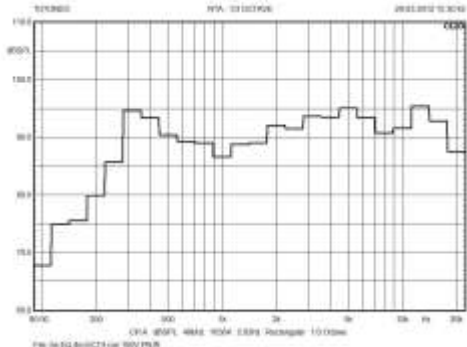
Specification

MODEL	DSP3254EN
FULL-RANGE	6.5"
RATED POWER	10W
LINE INPUT	100V
SENSITIVITY(1M,1W)	91.7±2dB
MAX SPL(1M)	101.7±2dB
FREQ. RESPONSE	90-20,000Hz
CUTOUT SIZE	Ø185 - Ø200mm
DEMENSIONS(H x W x L)	141 x Ø211mm
WEIGHT	1.6kg

Performance

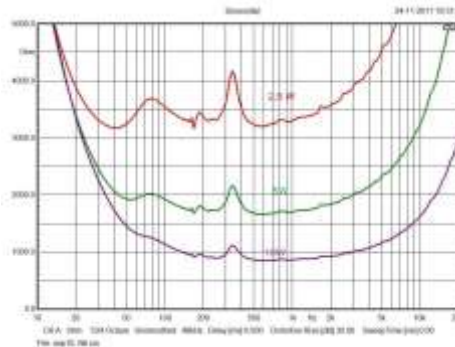
FREQ. RESPONSE

Measures on panel: IEC standard SPLMAX 4m

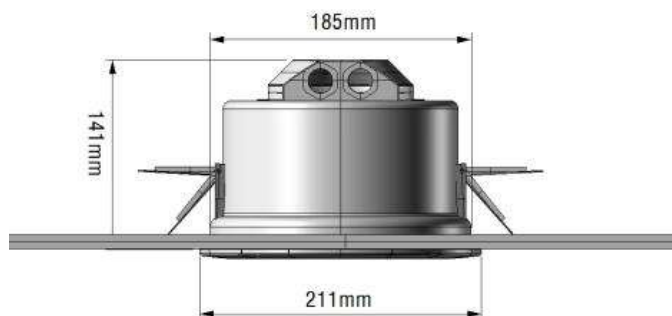


DISTORTION

Impedance vs different power taps: 10W - 5W - 2,5W



Dimension

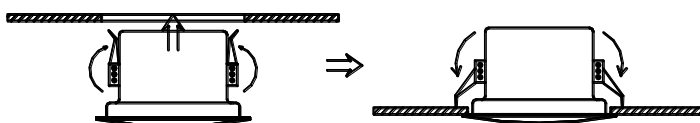


Installation

1. Cut a Ø185mm - Ø200mm installation hole on ceiling as shown above;
2. Adjust the clamps of the speaker system for different ply of ceiling;
3. Connect audio broadcasting wire to the terminals according to the table below;

Power	Line	Voltage	
Terminals			100V
	Red---	White	2.5W
	Red---	Blue	5W
	Red---	White	10W

4. Turn up the clamps of the speaker and insert them into the installation hole on ceiling and then release them as shown below; Putting on your gloves for safety is recommended.



5. Finally, examine whether it is steady.