

# MP9820S PA System 10-channel Switching Power



## Features

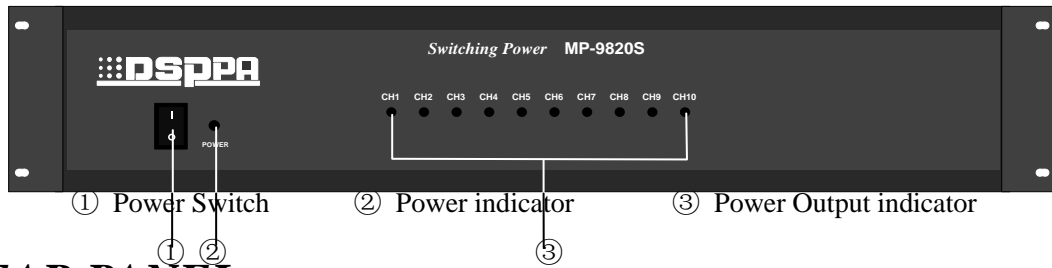
- 10CH Alarm input comes in
- 10CH Alarm link output
- 10CH DC 24V power switching outputs
- Friendly control panel, easy for use

## Specification

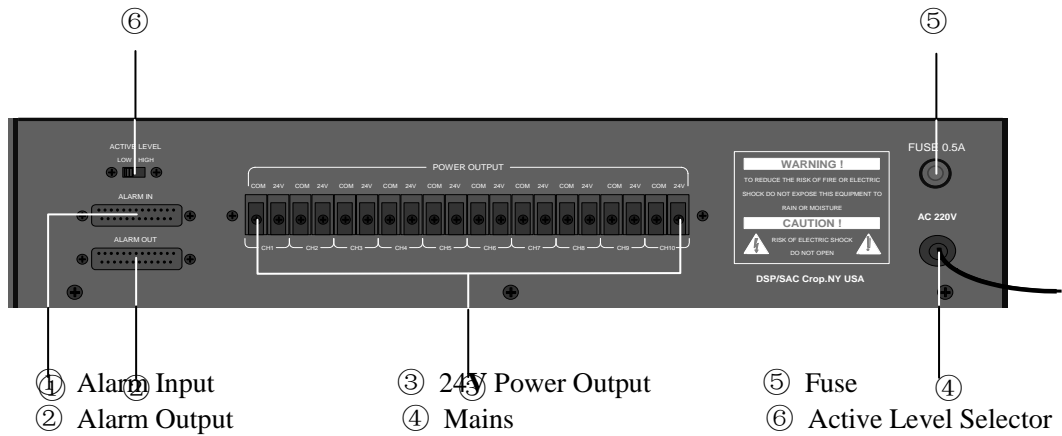
<b>Channels</b>	10, switching by alarm signal
<b>Alarm Level</b>	12 V / 0 V, preset available
<b>Output</b>	DC 24 V × 1 A <b>per</b> channel
<b>Protection</b>	AC fuse 1
<b>Power Requirement</b>	AC 220 - 240 V / 50 ~ 60 Hz
<b>Dimensions</b>	485 × 88 × 365 mm
<b>Gross weight</b>	11.5 kg
<b>Net weight</b>	10.2 kg

Specifications are subject to be changed without notice.

## FRONT PANEL



## REAR PANEL



## CONNECTIONS

