

## DSP154H

### Outdoor Waterproof Horn Speaker



#### Description

The waterproof horn speaker has a built in 70V/100V transformer. It is designed with wide frequency response and made of high quality aluminum for long-term durability, suitable for outdoor use.

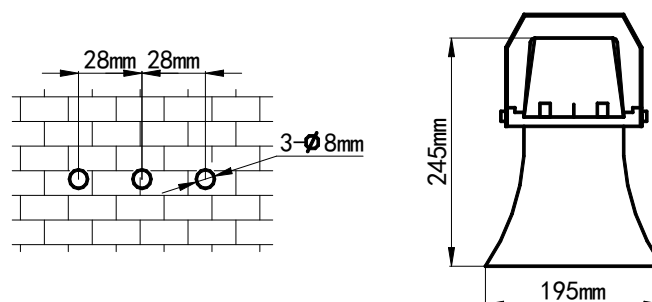
#### Features

- With waterproof certificate and other certificates, suitable for outdoor use.
- Equipped with brackets for installation.
- With high sensitivity and high dynamic range as well as different power options.

#### Specifications

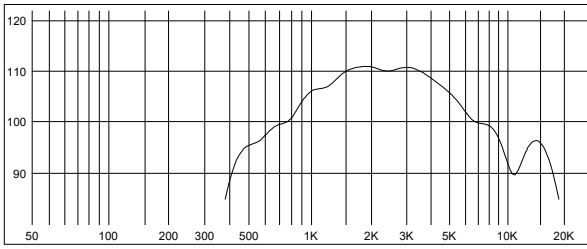
Model	DSP154H
Frequency Response	400Hz-8kHz
Sensitivity	105±2dB
MAX. SPL.	117±2dB
Rated Power	15W
Dimensions (L×W×H)	195×195×250mm
Weight	1.7kg

#### Positioning Dimensions & Diagram



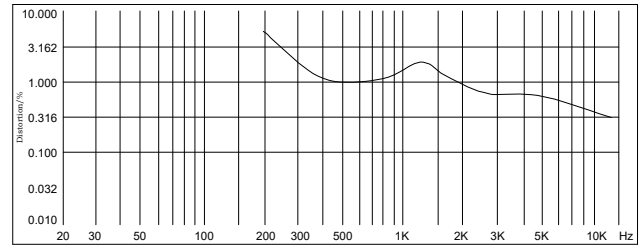
## Frequency Response

(dB SPL, 1W, 1m)



## Distortion

(THD < 3% 1W, 1m, 400Hz-8kHz)



## Installation

1. Fit three  $\Phi 8$ mm screws in the position where needed to install a speaker.
2. Set the system in those three screws.
3. Connect audio broadcasting wire to the impedance according to the table below.

Power / Line Voltage	70V	100V
	Impedance	
2.5K $\Omega$	2W	4W
1.3K $\Omega$	4W	8W
660 $\Omega$	8W	15W

4. Finally, adjust the direction of the system and examine whether it is steady.