

## DSP3008H

### 120W All-Weather Compact Coaxial Horn Loudspeaker



#### Description

The DSP3008H is a compact, coaxial-driver, 2-way, highly weather-resistant PA loudspeaker system which is ideal for speech and music-fill in a wide variety of applications, including sports facilities, racetracks, stadiums, fairgrounds, rodeos, skating rinks, themed entertainment venues, cruise ships, water parks, outdoor background music/paging systems, swimming pools, and a wide variety of other outdoor or indoor venue types.

#### Features

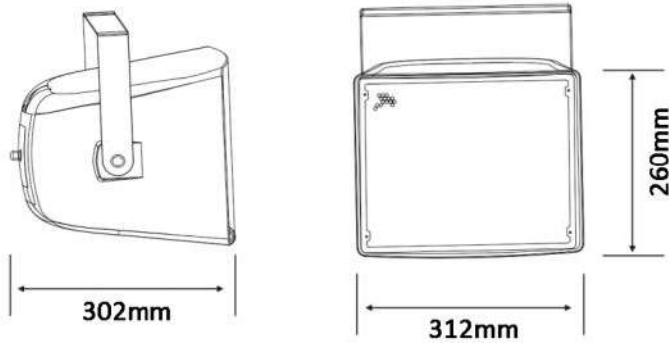
- Water resistance: high-strength ABS material appearance, aluminum mesh.
- High-quality sound, beautiful music, coaxial-driver design, 2-way speaker.
- Long transmission distance, small size, loud and clear speaker, Peak power: 250W, sound beam angle: <math><110^\circ</math>.

#### Specifications

Model	DSP3008H
Rated Power (100V)	15W/30W/60W/120W
Rated Power (70V)	7.5W/15W/30W/60W/120W
Peak Power	250W
Input	70V / 100V / 8Ω
Sensitivity (1W/1M)	90dB±3dB
Frequency Response	95Hz-12kHz
Max. SPL (1M)	110±3dB
Coverage Angle	<math><110^\circ</math>
Driver Unit	8"×1 , 1.5"×1
Product Size (H×W×D)	260×312×302mm

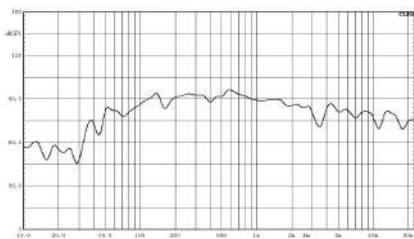
Color	Black
Product Weight	9.1 kg
Production Level	IP55 (Reference)
Package Size	390×370×330mm
Housing Materials	Plastic Shell+Aluminum Mesh Cover+Iron Bracket

## Product Information

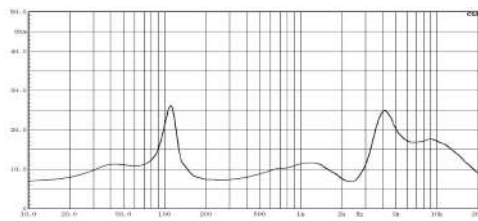


## Characteristics Curve

Frequency Response Characteristic

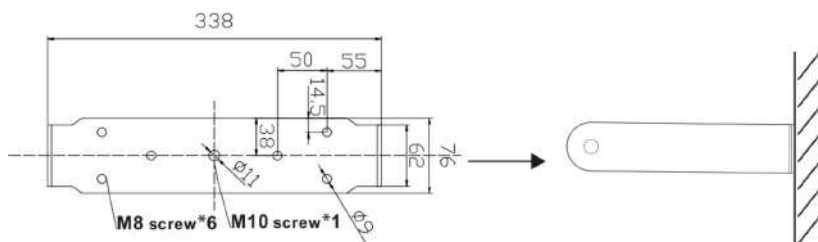


Impedance Characteristic

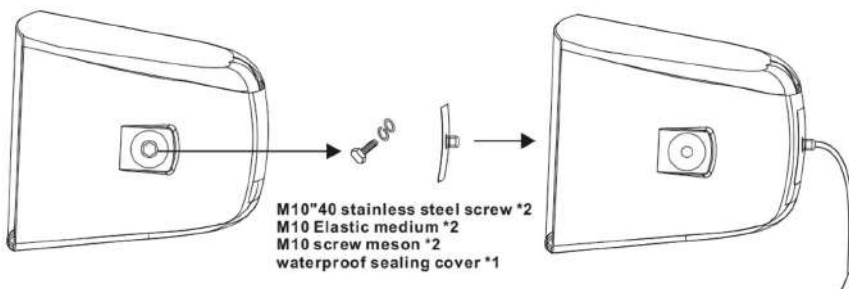


## Installation Step

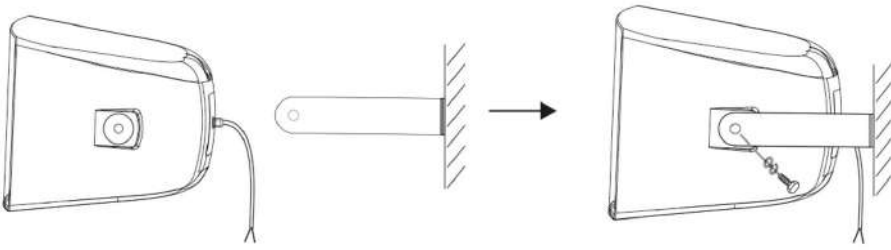
1. Mounting the stable bracket



2. Remove the screws on the horn box for spare use and remove the waterproof seal cover. Connect with the wiring diagram according to the customer's needs, and tighten the seal cover after connection.



3. Combine the horn speaker with the wall bracket



4. Please confirm the mounting stable.

