

# POE170VF

## ONVIF Horn Speaker



### Description

This device is an ONVIF horn speaker that supports public address and intercom network system. With the support of the international standard ONVIF protocol, it can accept broadcasts and calls from LAN, and can be quickly deployed to the desired place with only one network cable. Through the web interface, you can upload and download songs for direct playback. It can be independently bound to a camera and triggered to play music via the camera's API. The horn speaker offers a wide sound diffusion angle, is easy to install, and delivers excellent reproduction of both speech and music.

### Features

- 10/100M adaptive, support DHCP/static IP.
- Support standard ONVIF protocol.
- Can play background music, emergency paging, alarm signals, etc. from the host system.
- Adopt high-quality ABS plastic and high-dynamic range speaker unit for clearer and brighter sound.
- Equipped with a mounting bracket for easy installation.
- All-weather design, suitable for both indoors and outdoors, applicable to different occasions.
- Can adjust short circuit detection mode.
- Can download songs and support formats such as MP3 and WAV.
- Can adjust the priority order of the three sources, such as ONVIF, network, and short-circuit input.

## Specifications

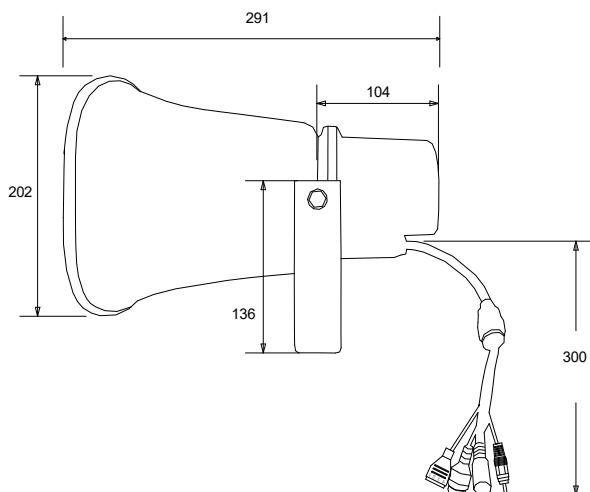
	Model	POE170VF
Amplifier Output	Rated Power (RMS)	15W 8Ω
	S/N Ratio	≥ 75dB
	Frequency Response	80Hz-16KHz
Speaker	Drive Unit	2.5"
	Sensitivity	102dB±2dB
	Maximum Sound Pressure Level	115dB±2dB
	Frequency Response	350Hz-6.3KHz
	Power Supply	PoE+ (IEEE 802.3at) / DC24V 2A (Standby)
Others	Network Interface	RJ45 (10/100M)
	Power Connector	24V/2A
	Outer Package Dimensions (H×W×D mm)	630*510*335mm (4pcs)
	Machine Dimensions (H×W×D mm)	285*205*291mm
	Gross Weight	10.8kg(4pcs)
	Net Weight	1.9 kg

## Front / Rear Panel

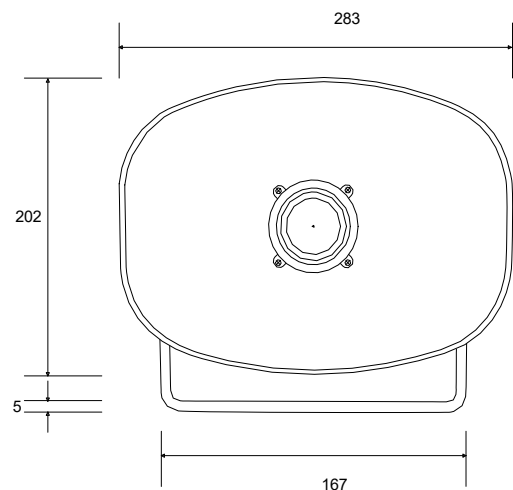
### Appearance Description

Unit: mm

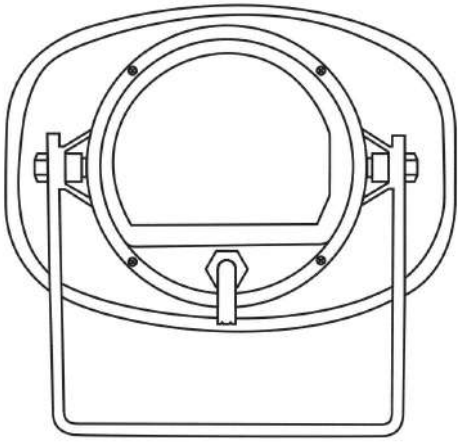
Side View



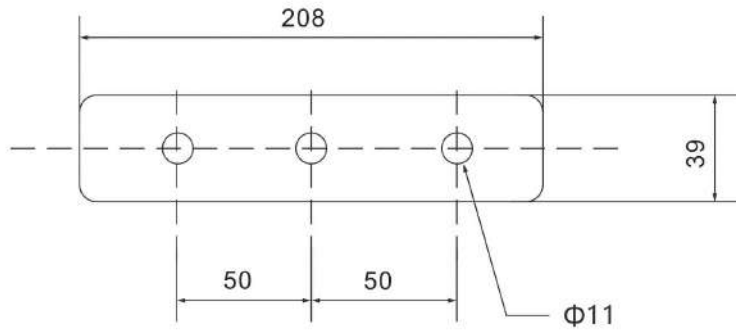
Front View



**Rear View**

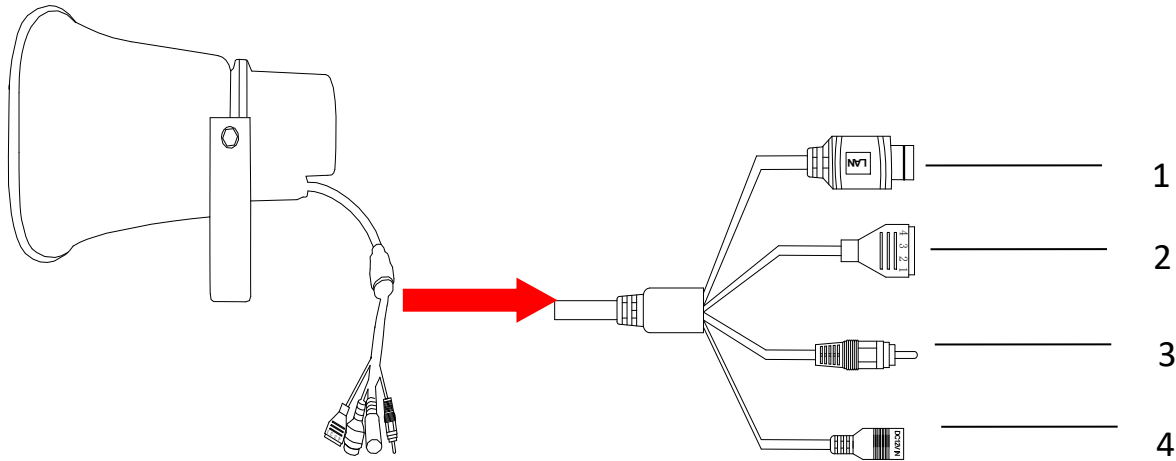


**Mounting Bracket**



## Connection and Installation

### Product Functions



#### 1. Network Interface

#### 2. 1-2 Alarm Trigger Input Interface

The trigger can be set to high level and low level via the web interface.

#### 3-4 Normally Open and Common Node

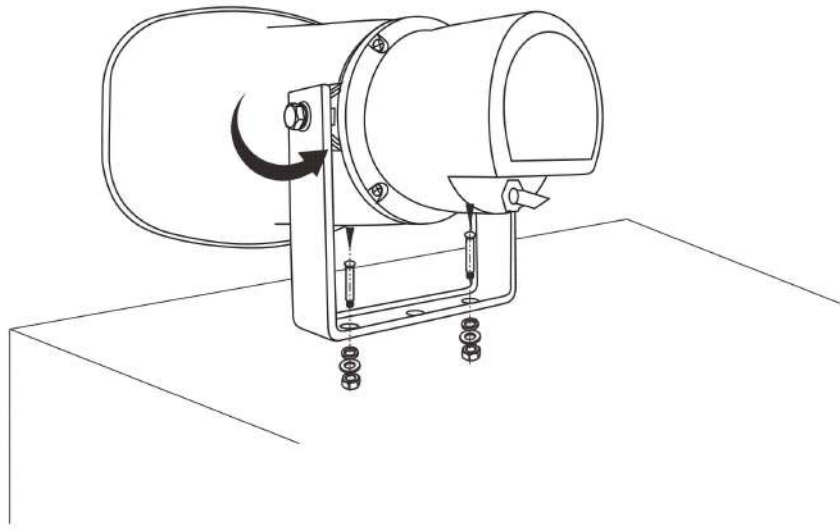
The trigger can be set to high level and low level via the web interface.

#### 3. Audio Line Input

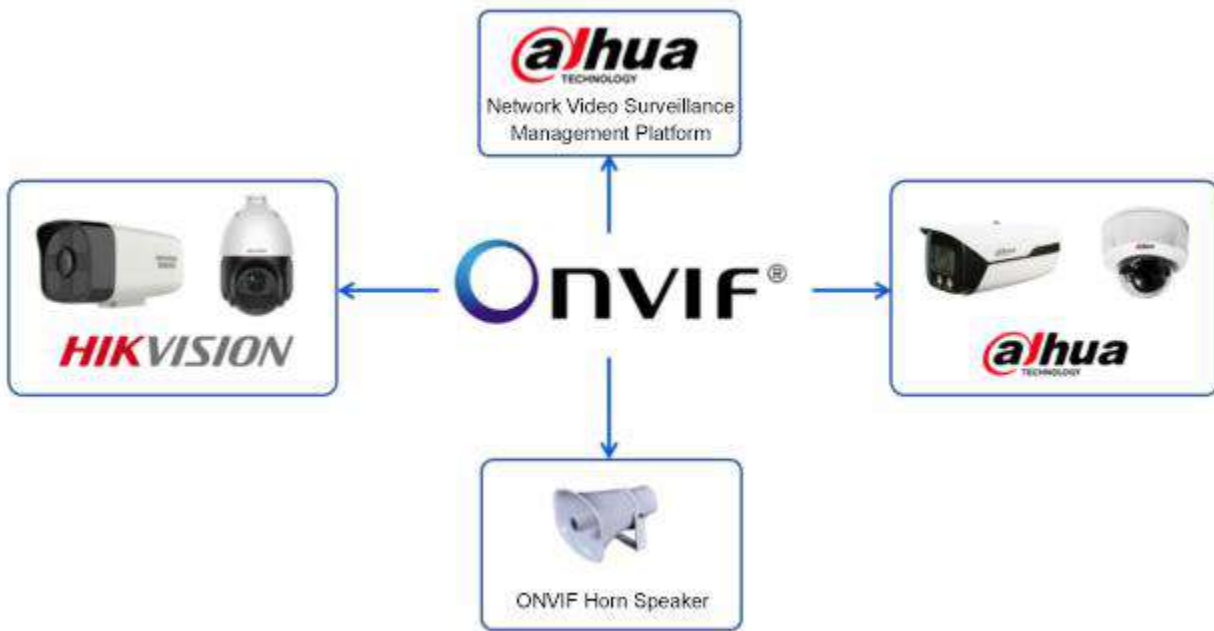
#### 4. DC24V Power Input Cable

### Installation Instructions

The bracket can be rotated at various angles. First tighten the nut to fix the bracket, and then secure the screws into the mounting holes and fix them on the wall.



**Product Connection Diagram**

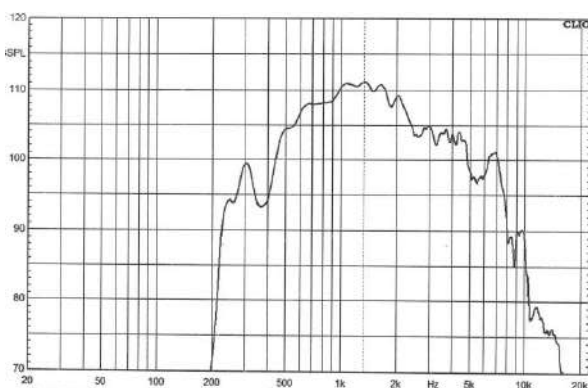


Note: As shown in the diagram, you can transfer the audio file to the ONVIF horn speaker through the web interface of the ONVIF horn speaker. When the surveillance camera triggers an event, the speaker will play the pre-stored alarm audio.

**Performance Indicators**

Frequency Response

(dB SPL, 1W, 1m)



Distortion

(THD<1.5% 1W, 1m, 200Hz~10kHz)

